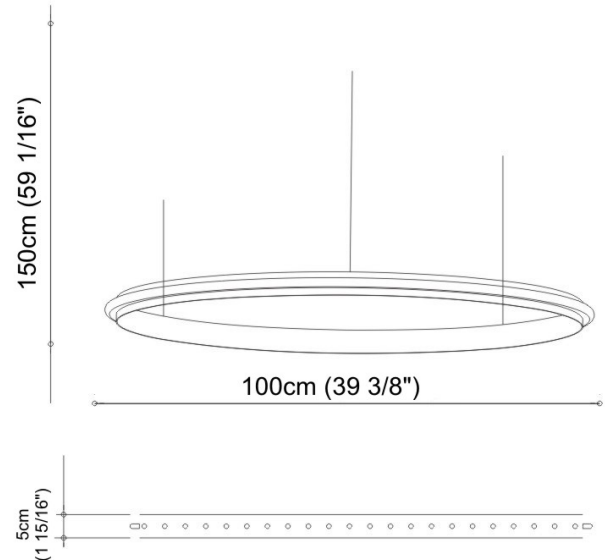



Date: _____ Project: _____

Fixture Type: _____ Specifier/Rep: _____



Certified by  Standards
us CSA certified, listed to UL & CSA

Available for International specifications by adding "INT" at the end of the existing Model
International spec sheets are available upon request

Exact Measurements: Metric

| | |
|------------------------------|---|
| Model: | D10-1301 |
| Installation: | Suspension - Ceiling |
| Light Color: | Warm White |
| Color Temperature: | 2400K |
| Nominal Lumen: | 1800lm |
| Fixture Finish: | Nickel |
| Lamp Base: | E10 |
| Lamp Type: | LED |
| Number of LEDs: | 120 |
| Max Wattage Per Lamp: | 0.24W |
| Total Wattage: | 28.8W |
| Lamp Voltage: | 12Vac |
| Input Voltage: | 120Vac |
| IP Rating: | IP20 |
| Diameter: | 100cm / 39 3/8" |
| Height: | 5cm / 1 15/16" |
| Max. Overall Height: | 150cm / 59 1/16" |
| Weight: | 1.25kg / 2.76lbs |
| Power Supply: | Constant Voltage 12Vac non dimmable magnetic Transformer located in the canopy (Canopy sold separately - contact for details) |
| Dimming: | Available upon request. Phase dimming or 0-10Vdc dimming |

Additional Details

Double Lighting - Transformer and canopy sold separately. Individual ring with a structure that allows a combination of effects. From a single positioned piece to a combination of overlapping rings (each sold separately).

Date: _____ Project: _____

Fixture Type: _____ Specifier/Rep: _____

System Components

CITADEL - Transformer - [D10-1030] -- 20.5cm / 8 1/16" - 160 VA - Nickel

Alternative Finish Models

Citadel Composition - Double Lighting - [D10-1300] -- Ring 100cm / 39 3/8" - 120 x 0.24W LED - 12 V - Copper

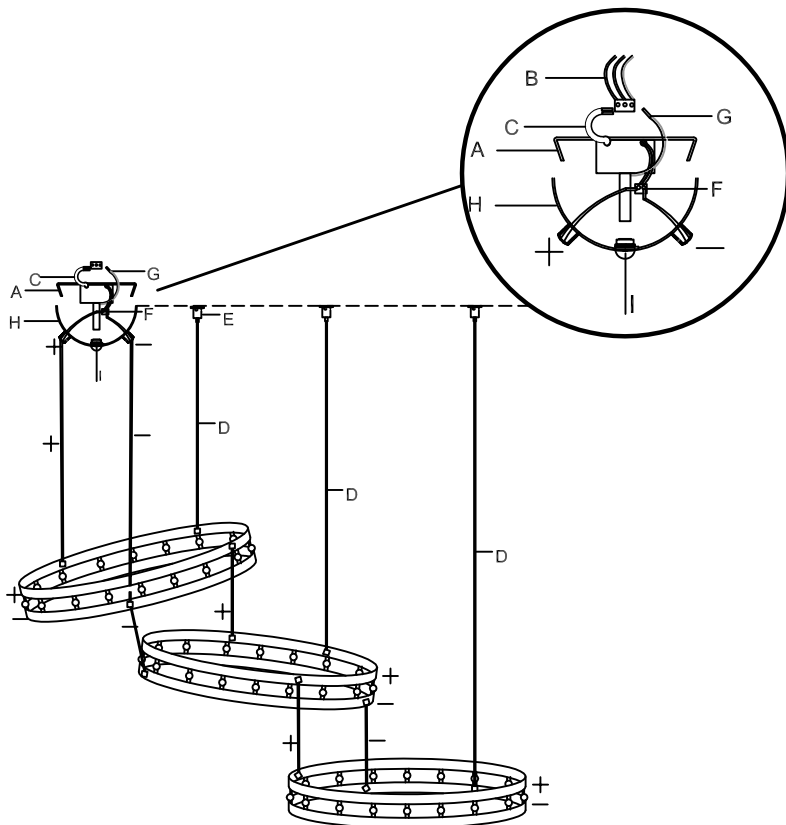
Citadel Composition - Double Lighting - [D10-1302] -- Ring 100cm / 39 3/8" - 120 x 0.24W LED - 12 V - Brass

ZANEEN

Date: _____ Project: _____

Fixture Type: _____ Specifier/Rep: _____

Citadel Composition - Index I



Instructions

- Switch off electricity during mounting.
- Fix application (A) to the ceiling.
- Connect contact wires (B) to the entrance (C) of the transformer.
- Carefully mount contact wires (+ and -) and hanging wires (D) to the rings.
- Pay attention to the contact wires (+ and -). These may not cross each other but should be fixed to whether the upper-rings or the lower-rings.
- Now fix the rings to the ceiling with adjustable suspensions (E).
- Connect the 12V-wires (+ and -) to the 12V-exit of the transformer (F).
- Connect grounding wire (G).
- Mount suspension (H) to the application (A) and turn it tight (I).

Product Information

Clean the brass or nickel with a soft cloth or a feather-duster. Don't use any aggressive cleanser.

- Each ring is sold separately
- Maximum wattage for this combination type is 77W
- Canopy and remote transformer to be order separately
- Different sizes can be combined

Examples

