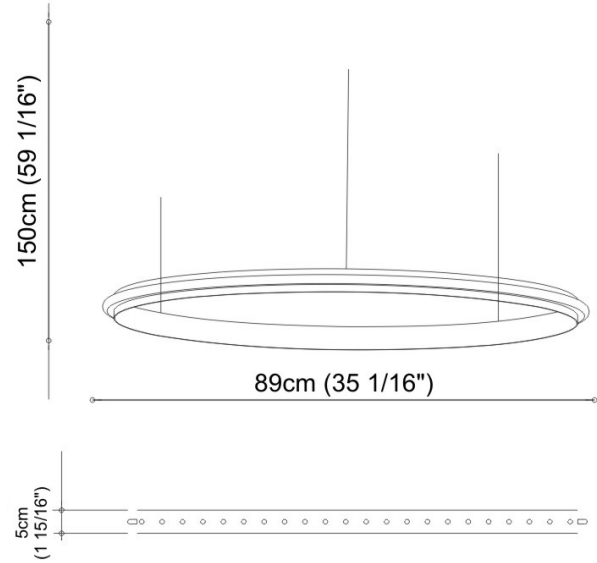
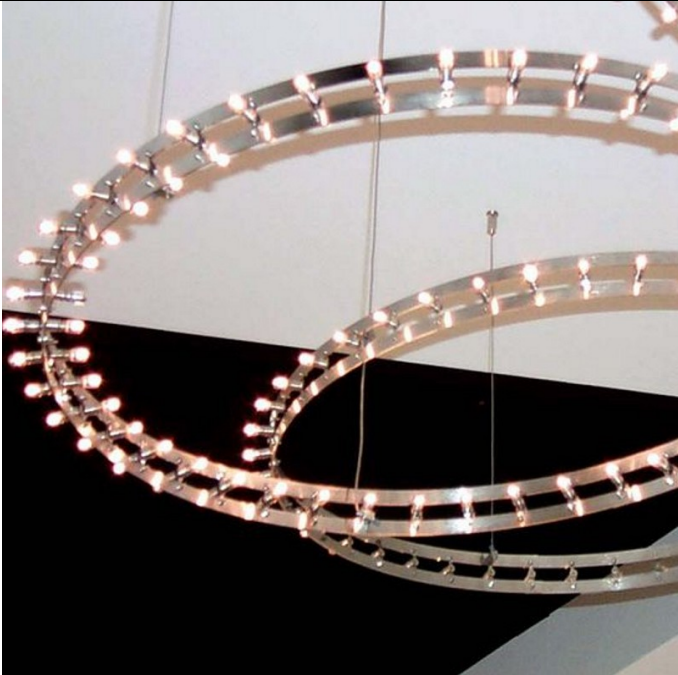



Date: \_\_\_\_\_ Project: \_\_\_\_\_

Fixture Type: \_\_\_\_\_ Specifier/Rep: \_\_\_\_\_



Certified by  Standards  
us CSA certified, listed to UL & CSA Standards

Available for International specifications by adding "INT" at the end of the existing Model # International spec sheets are available upon request

Exact Measurements: Metric

<b>Model:</b>	D10-1294
<b>Installation:</b>	Suspension - Ceiling
<b>Light Color:</b>	Warm White
<b>Color Temperature:</b>	2400K
<b>Nominal Lumen:</b>	1560lm
<b>Fixture Finish:</b>	Copper
<b>Lamp Base:</b>	E10
<b>Lamp Type:</b>	LED
<b>Number of LEDs:</b>	104
<b>Max Wattage Per Lamp:</b>	0.24W
<b>Total Wattage:</b>	24.48W
<b>Lamp Voltage:</b>	12Vac
<b>Input Voltage:</b>	120Vac
<b>IP Rating:</b>	IP20
<b>Diameter:</b>	89cm / 35 1/16"
<b>Height:</b>	5cm / 1 15/16"
<b>Max. Overall Height:</b>	150cm / 59 1/16"
<b>Weight:</b>	1.25kg / 2.76lbs
<b>Power Supply:</b>	Constant Voltage 12Vac non dimmable magnetic Transformer located in the canopy (Canopy sold separately - contact for details)
<b>Dimming:</b>	Available upon request. Phase dimming or 0-10Vdc dimming

### Additional Details

Double Lighting - Transformer and canopy sold separately. Individual ring with a structure that allows a combination of effects. From a single positioned piece to a combination of overlapping rings (each sold separately).

Date: \_\_\_\_\_ Project: \_\_\_\_\_

Fixture Type: \_\_\_\_\_ Specifier/Rep: \_\_\_\_\_

## System Components

---

CITADEL - Transformer - [D10-1029] -- 20.5cm / 8 1/16" - 160 VA - Brass  
CITADEL - Transformer - [D10-1030] -- 20.5cm / 8 1/16" - 160 VA - Nickel

## Alternative Finish Models

---

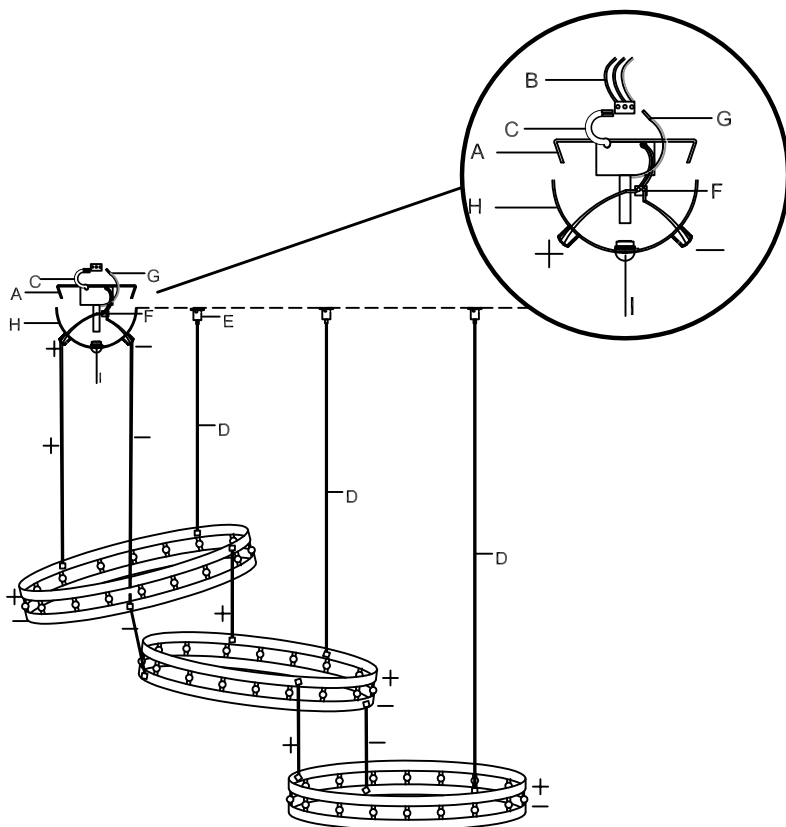
Citadel Composition - Double Lighting - [D10-1295] -- Ring 89cm / 35 1/16" - 104 x 0.24W LED - 12 V - Nickel  
Citadel Composition - Double Lighting - [D10-1296] -- Ring 89cm / 35 1/16" - 104 x 0.24W LED - 12 V - Brass

# ZANEEN

Date: \_\_\_\_\_ Project: \_\_\_\_\_

Fixture Type: \_\_\_\_\_ Specifier/Rep: \_\_\_\_\_

## Citadel Composition - Index I



### Instructions

- Switch off electricity during mounting.
- Fix application (A) to the ceiling.
- Connect contact wires (B) to the entrance (C) of the transformer.
- Carefully mount contact wires (+ and -) and hanging wires (D) to the rings.
- Pay attention to the contact wires (+ and -). These may not cross each other but should be fixed to whether the upper-rings or the lower-rings.
- Now fix the rings to the ceiling with adjustable suspensions (E).
- Connect the 12V-wires (+ and -) to the 12V-exit of the transformer (F).
- Connect grounding wire (G).
- Mount suspension (H) to the application (A) and turn it tight (I).

### Product Information

Clean the brass or nickel with a soft cloth or a feather-duster. Don't use any aggressive cleanser.

- Each ring is sold separately
- Maximum wattage for this combination type is 77W
- Canopy and remote transformer to be order separately
- Different sizes can be combined

## Examples

