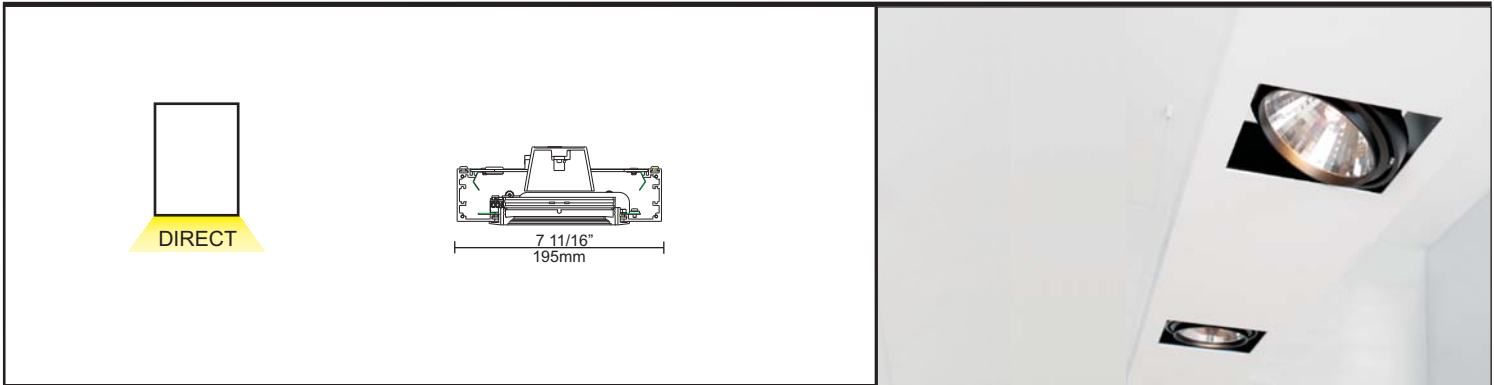


Date: \_\_\_\_\_ Project: \_\_\_\_\_

Fixture Type: \_\_\_\_\_ Specifier/Rep: \_\_\_\_\_



L3SP-SUS-SYS	—	—	—	X	—	X	—	—	/ / /
Article #	Length	Voltage	Insert x Qty	Electrical	Electrical	Electrical	Electrical	Electrical	Finishes

Product	Length	Voltage	Inserts	Electrical Options
L3SP-SUS-SYS	State desired length	120V	Spot 1 ( 20°/ 40°/ 60°)	DP - Phase Dimming
Speed		277V	S11 - 1 x 14W 2700K LED	DV - 0-10V Dimming
Suspension		347V	S12 - 1 x 14W 3000K LED	DL - Lutron Hi-Lume A series
		(Optional)	S13 - 1 x 14W 4000K LED	EM - Emergency (Supplied by others)
			Spot 2 ( 20°/ 25°/ 40°)	Other: Please specify
			S21 - 1 x 24W 2700K LED	
			S22 - 1 x 24W 3000K LED	
			S23 - 1 x 24W 4000K LED	

Finishes	
00 Natural Anodized Aluminum	13 Mysterious Gray
01 Sparkling Silver	14 Twilight
02 Black Velvet	15 Lost Dream
03 Crystal White	16 Purple Sky
04 Creamy	17 Fresh Oh
05 Hampton Bay	18 Funky P.
06 Lagoon	19 Kissing Aphrodite
07 Urban Forest	20 Poseidon's Paradise
08 In the Army	21 Blue Sky
09 Rusty Angel	22 Spring Green
10 Rusty Rush	23 Mellow Yellow
11 Milk & Chocolate	24 Golden Heart
12 Fade to Gray	

For unique customized profiles please include a layout drawing or description below;  
 \* Include detailed information such as distance between linear lamps, spots and aluminum caps.  
 \*\* Zaneen will supply submittal drawing for approval once a Purchase Order is received.

Available for International specifications by adding 'INT' at the end of the existing Model #. International spec sheets are available upon request.

For assistance to write your "custom" specification, email your inquiry to: [specification@zaneen.com](mailto:specification@zaneen.com). You will receive a response within 1-2 business days.  
 Zaneen reserves the right to change the specifications and/or materials without notice. Please check [www.zaneen.com](http://www.zaneen.com) for the most recent updates.

Date: \_\_\_\_\_ Project: \_\_\_\_\_

Fixture Type: \_\_\_\_\_ Specifier/Rep: \_\_\_\_\_

### Type Suspension (Non-IC Type)

Rated for Dry or Damp locations (IP20)

**Approval** Certified by C.S.A. for North American Standards.

**Emission** Direct only, Direct/ Indirect or Indirect only.

### PROFILE

**Measurements** w. 195mm (7 11/16")

**Beam Profile & Modules** Anodized extruded aluminum beam profile up to 8'-0" long. Profiles are joined with a coupler to ensure uniform appearance and easy installation.

Modules can be repositioned after installation of the beam profiles. Additional modules may be installed after installation. Modules are free floating. Extruded aluminum offers high reflective surface and excellent heat dissipation.

**End Cap** has no visible screws.

### Finishes

Standard; Natural anodized aluminum

Optional; 25 colors offered using premium powder coated finish.

Profile, end caps and modules can be specified in different finishes.

**Suspension Cable** 1/16" aircraft cable supplied with chrome gripper.

Maximum suspension from ceiling to top of the fixture is 2m.

Maximum space between aircraft suspension cables is 1.8m.

**Splitter and plug connector** come with the order for easy installation.

### INSERTS

#### LED

#### Spot

#### LED

**14W LED Spot (2700K, 1170lm / 3000K, 1220lm / 4000K, 1300lm)**

Offered in 3 reflector choices (20°, 40° and 60°) and 25 color options for lamp ring.

**24W LED Spot (2700K, 2850lm / 3000K, 3030lm / 4000K, 3290lm)**

Offered in 3 reflector choices (20°, 25° and 40°) and 25 color options for lamp ring.

Minimum spacing between the LED spots is 345mm (13 9/16") for both Spot 1 and Spot 2 both with integral power supplies.

**Lamp Combination** For specific lamp combinations or configurations, please specify the overall length and attach a sketch or drawing of the intended configuration. Zaneen will supply submittal drawings for approval once an order is received.

### ELECTRICAL

Luminaires are pre-wired with a factory installed branch circuit wiring and quick-release connectors. Through wiring is used to connect the luminaires.

**Fluorescent Ballast** Electronic high power factor ballast. Specify 120V or 277V. Ballast is pre-wired with leads to one end of fixture. Ballast is positioned behind lamp insert and is fully accessible from below.

0-10V, Lutron 3-wire or Lutron digital dimming options are available.

\* Lutron dimming ballast is used as standard, 120V/ 277V.

**Emergency** To be installed remotely.

**Emergency Circuit Wiring** Upon request.

**Emergency Testing Switch** is to be installed close to the emergency ballast equipped fixture. An installation kit will be supplied by Zaneen.

### WARRANTY

Zaneen provides a limited warranty from date of purchase to original purchaser.

**LED Inserts** : 5 year

Rated for 50,000 hours at 70% lumen output (L70)

**LED Driver** : 5 year

**Fluorescent / Ballast** : 5 year

**Dimming Ballast** : 3 year



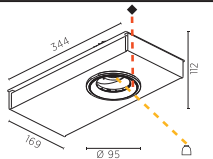
**12V Transformer** : 1 year

**Non-Electrical Components** : 1 year

Date: \_\_\_\_\_ Project: \_\_\_\_\_


Fixture Type: \_\_\_\_\_ Specifier/Rep: \_\_\_\_\_


### MODULE INSERTS



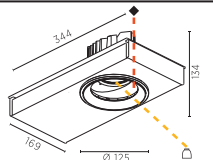
Spot 1	Code	Color Temp. (K)	Wattage	Voltage	Lumen	CRI	Features	Refer to page 5 01-25	Reflector Opt.	Dimensions
	L11 - _ _	2700° K	14W		1170lm	> 90	Tilt	◆		
	L12 - _ _	3000° K	14W	120Vac*	1220lm	> 90	Rotational			
	L13 - _ _	4000° K	14W		1300lm	> 90				

\*LED driver included

To complete the above codes add suffix according to the example


REFLECTOR	...20	..40	..60	
	20°	40°	60°	


ORDER-EXAMPLE: ◆  L11 - 02 60  
black 60°  
Refer to page 5 for finishes

Spot 2	Code	Color Temp. (K)	Wattage	Voltage	Lumen	CRI	Features	Refer to page 5 01-25	Reflector Opt.	Dimensions
	L21 - _ _	2700° K	24W		2850lm	> 90	Tilt	◆		
	L22 - _ _	3000° K	245W	120Vac*	3030lm	> 90	Rotational			
	L23 - _ _	4000° K	245W		3290lm	> 90				

\*LED driver included

To complete the above codes add suffix according to the example

REFLECTOR	...20	...25	..40	
	20°	25°	40°	

ORDER-EXAMPLE: ◆  L23 - 02 40  
black 40°  
Refer to page 5 for finishes


Date: \_\_\_\_\_ Project: \_\_\_\_\_

Fixture Type: \_\_\_\_\_ Specifier/Rep: \_\_\_\_\_

### ELECTRICAL OPTIONS


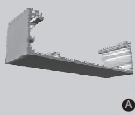




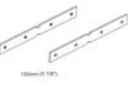




#### LED





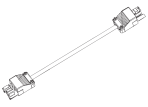


#### DRIVERS\*

	Dimmable	Max. Wattage	Voltage	Dimensions (mm/inch)
	<b>DV DP</b> 0-10V dimming Phase dimming	100W 100W	120-277V / 24Vdc 347V (*Optional)	L.318x W.102x H.50.8mm /L.12 1/2"x W.4"x H.2"
	<b>DIM3</b> Lutron Hi-Lume A Series	40W	120-277V / 24Vdc	L.318x W.102x H.50.8mm /L.12 1/2"x W.4"x H.2"

\* Drivers will be installed remotely and have to be placed in the enclosure provided by others.

### COMPONENTS

		Refer to page 5  01-25	
	Aluminum Profile *max. 3000mm lengths	- ♦	
	End Cap	- ♦	
	Linear Coupler	- ♦	
	Suspension Cable (pair) 2000mm	- ♦	
	Power Feed 2000mm	- ♦	

		Refer to page 5  01-25	
	Cap Plug 3- pole		
	Plug Connector		
	Plug Connector 1000mm 2000mm 3000mm		
	Power Feed Incl. 1200mm splitter box and socket	- ♦	

Date: \_\_\_\_\_ Project: \_\_\_\_\_

Fixture Type: \_\_\_\_\_ Specifier/Rep: \_\_\_\_\_

### Color Choices:

 00 natural anodized aluminum	 01 sparkling silver RAL9006FS	 02 black velvet RAL9005FS	 03 crystal white RAL 9016FS	 04 creamy	 05 hampton bay	 06 lagoon
 07 urban forest	 08 in the army	 09 rusty angel	 10 rusty rush	 11 milk & chocolate	 12 fade to gray	 13 mysterious gray
 14 twilight	 15 lost dream	 16 purple sky	 17 fresh Oh	 18 funky P.	 19 kissing aphrodite	 20 poseidon's paradise
 21 blue sky	 22 spring green	 23 mellow yellow	 24 golden heart	 25 gun metal		

00 Standard Finish: natural anodized aluminum  
01-25 Color Finishes: additional charge

### ADDITIONAL NOTES

Zaneen reserves the right to change the specifications and/or materials without notice. Please check [www.zaneen.com](http://www.zaneen.com) for the most recent updates.